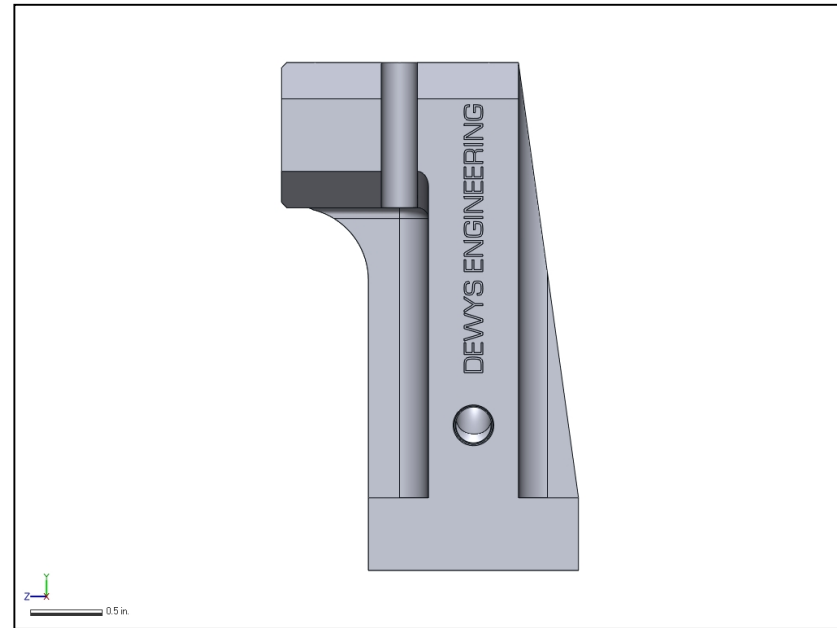
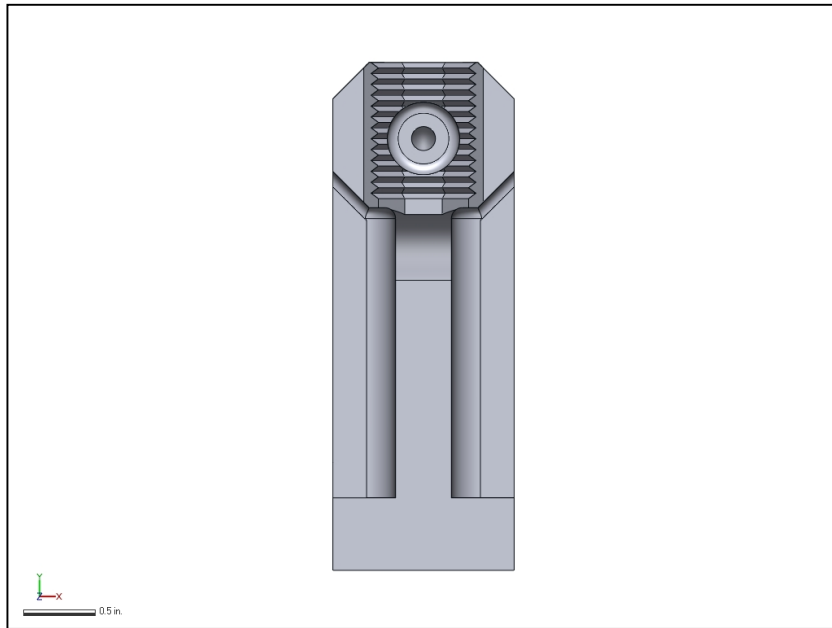
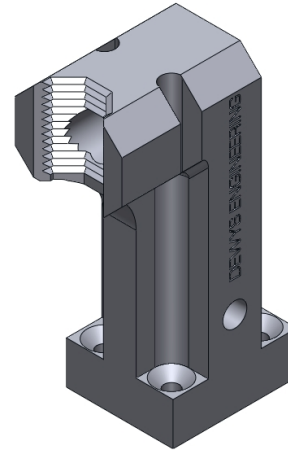
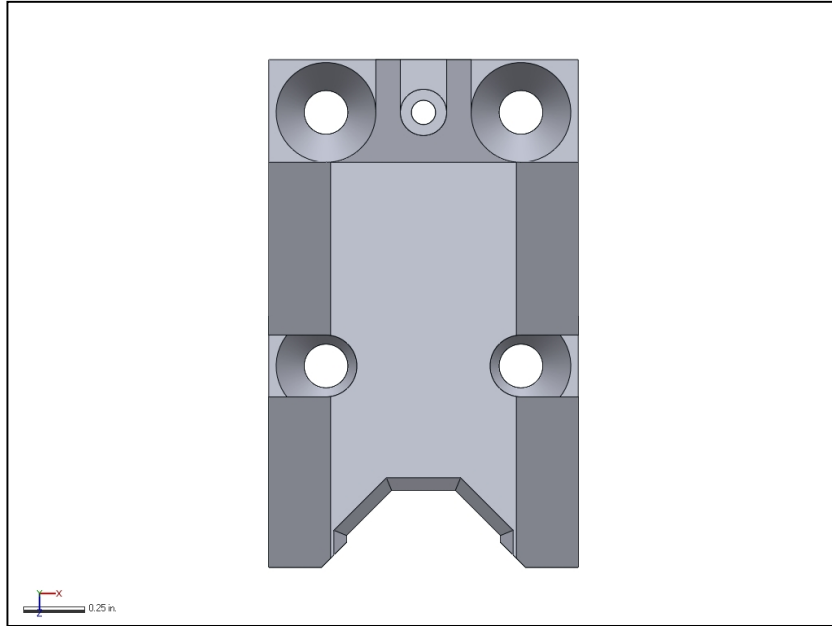


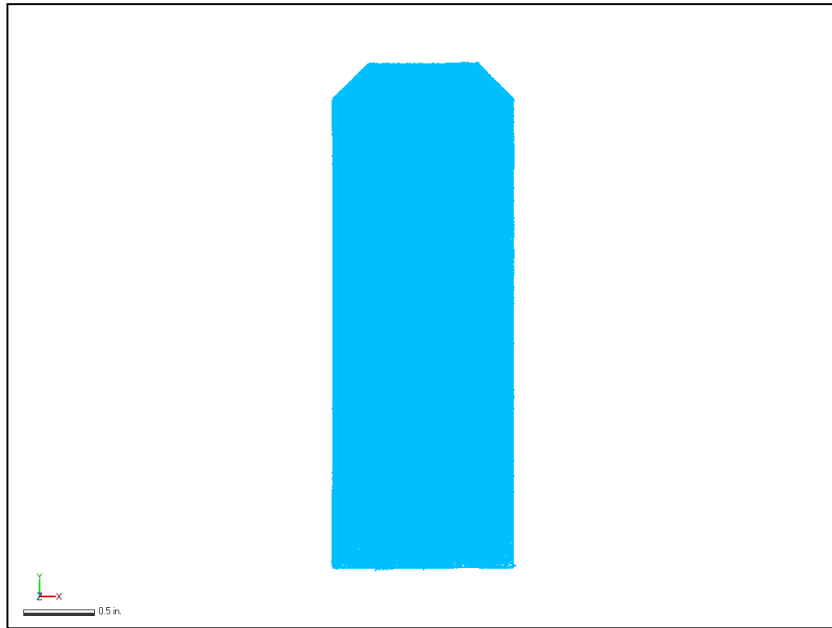
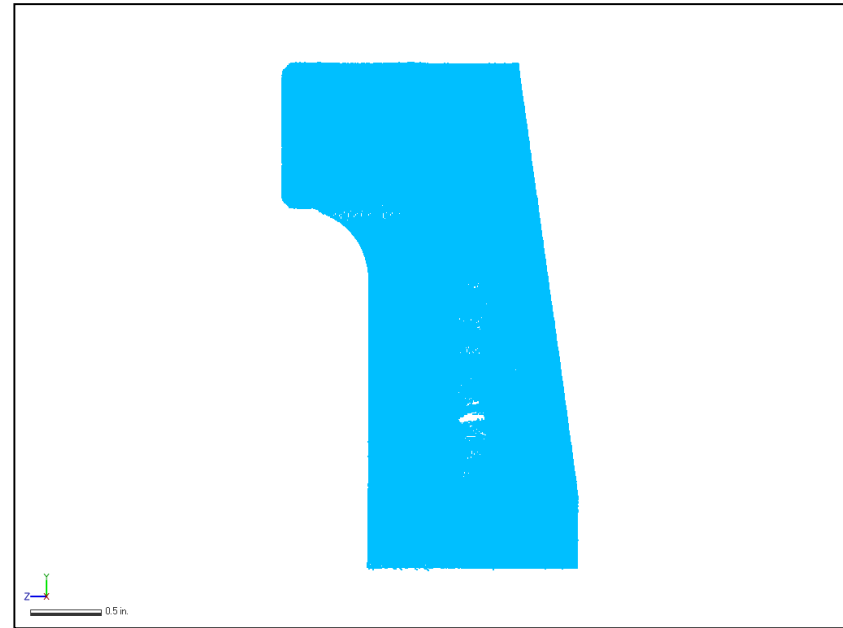
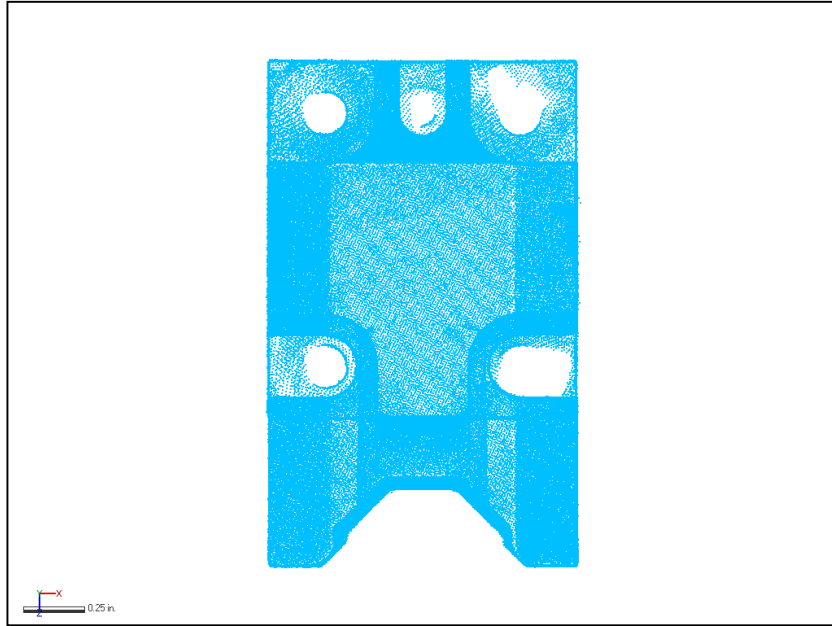
Product Name	[Product Name]
Part Name	EOAT Gripper
Part Number	796001-01
Department	Quality Control
Inspector	F3DP - Paul DeWys
Date	Jul 28, 2018
Unit	in.

Reference Data - 7102018-0001



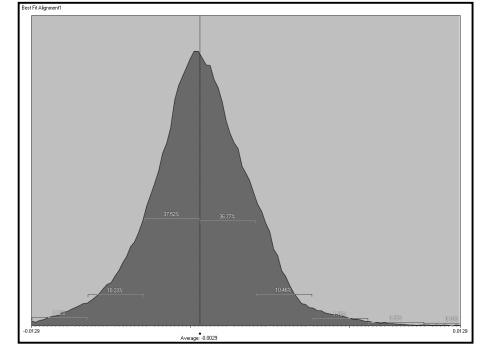
Product Name	[Product Name]	Department	Quality Control	Date	Jul 28, 2018
Part Name	EOAT Gripper	Inspector	F3DP - Paul DeWys	Unit	in.

Measured Data - SCAN 1



Product Name	[Product Name]	Department	Quality Control	Date	Jul 28, 2018
Part Name	EOAT Gripper	Inspector	F3DP - Paul DeWys	Unit	in.

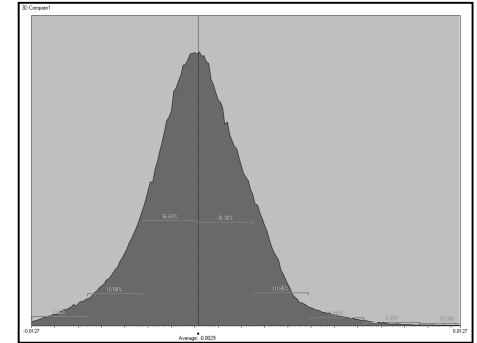
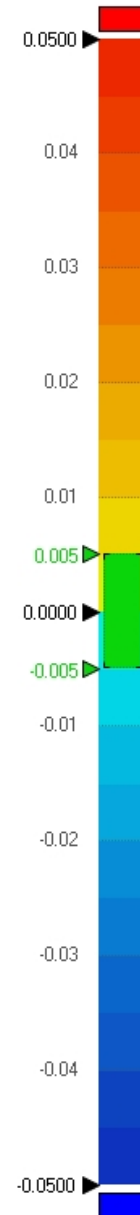
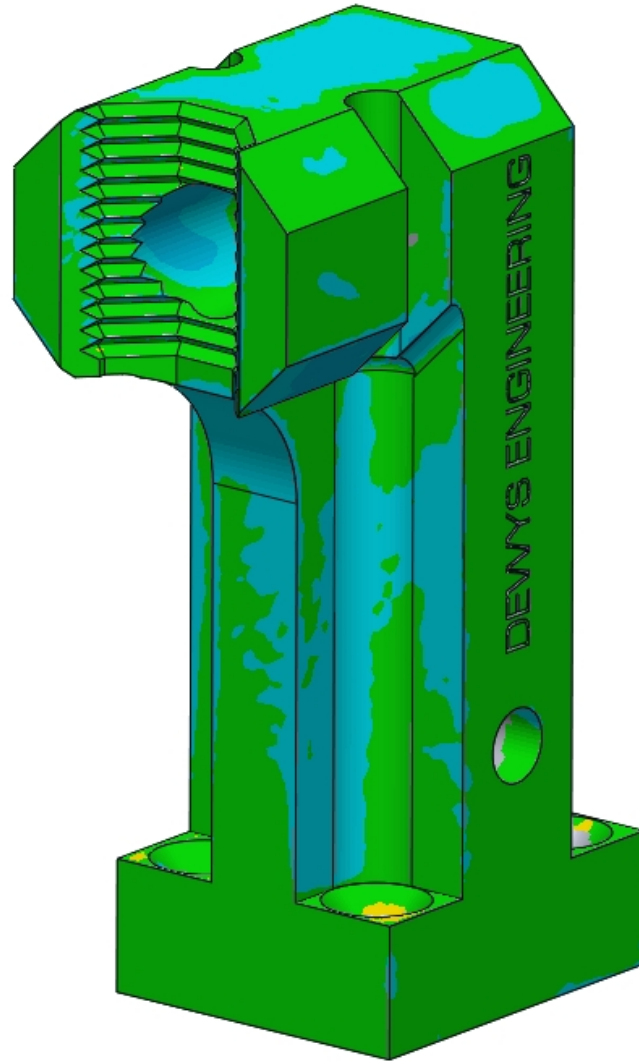
Best Fit Alignment1



Min.	-0.0335
Max.	0.0264
Avg.	-0.0029
RMS	0.0044
Std. Dev.	0.0033
Var.	0.0003
+Avg.	0.002
-Avg.	-0.0038

Product Name	[Product Name]	Department	Quality Control	Date	Jul 28, 2018
Part Name	EOAT Gripper	Inspector	F3DP - Paul DeWys	Unit	in.

3D Compare1



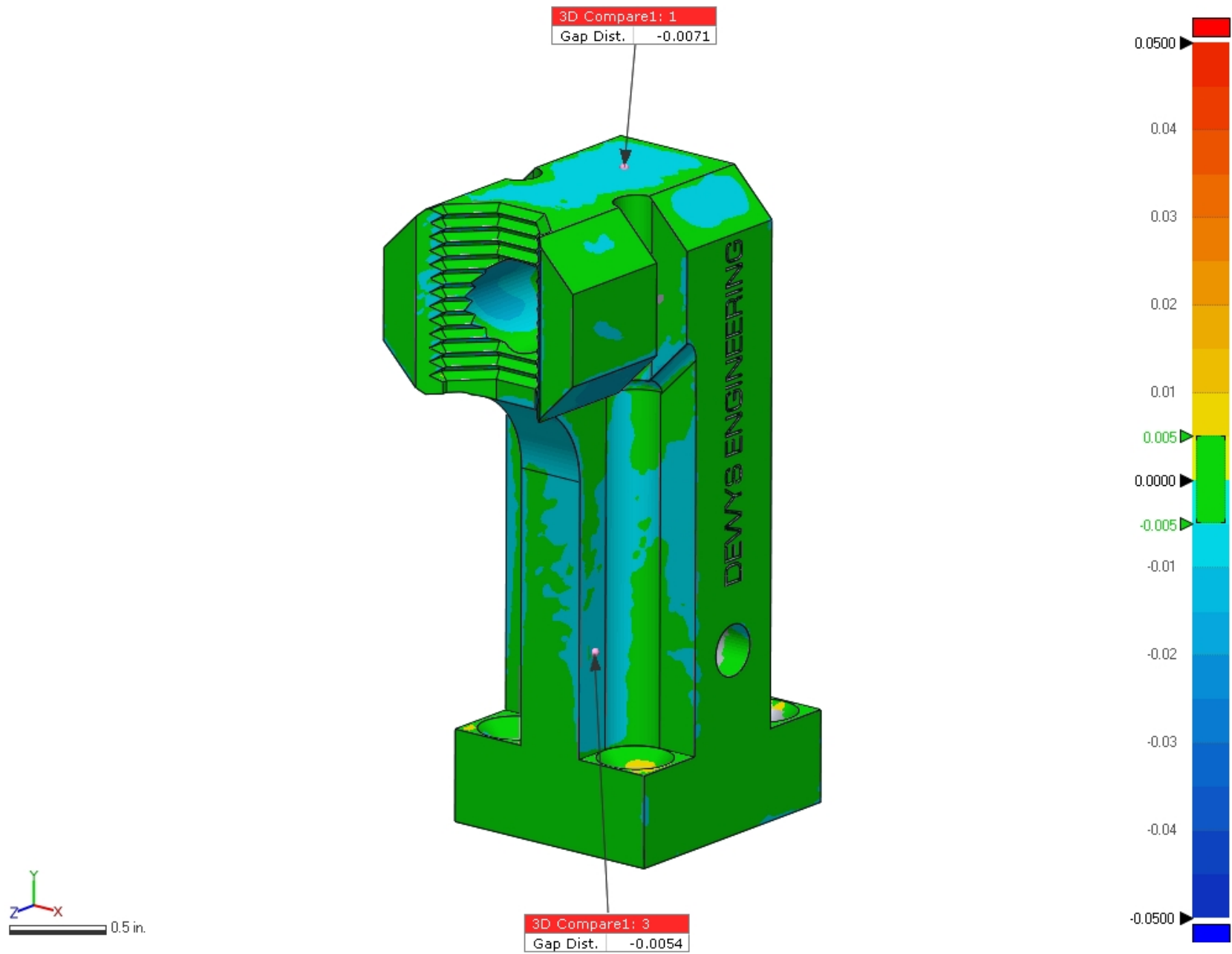
Min.	-0.0175
Max.	0.0175
Avg.	-0.0029
RMS	0.0044
Std. Dev.	0.0033
Var.	0.0003
+Avg.	0.002
-Avg.	-0.0038
In Tol.(%)	97.6919
Out Tol.(%)	2.3081
Over Tol.(%)	2.1103
Under Tol.(%)	0.1978

Product Name	[Product Name]	Department	Quality Control	Date	Jul 28, 2018
Part Name	EOAT Gripper	Inspector	F3DP - Paul DeWys	Unit	in.

Name	Reference Pos.			Measured Pos.			Gap Dist.	Tolerance
	X	Y	Z	X	Y	Z		
3D Compare1: 1	-0.0209	3.25	0.1015	-0.0209	3.2429	0.1015	-0.0071	±0.005
3D Compare1: 2	0.525	2.4	0.9	0.5178	2.4072	0.9	-0.0102	±0.005
3D Compare1: 3	0.1923	0.8	0.6	0.187	0.8	0.6	-0.0054	±0.005
3D Compare1: 4	-0.2	0.1	-0.725	-0.2	0.1	-0.7174	-0.0076	±0.005
3D Compare1: 5	-0.249	2.7044	0.873	-0.261	2.7033	0.873	-0.0121	±0.005
3D Compare1: 6	-0.3	0.1	-0.725	-0.3	0.1	-0.7176	-0.0074	±0.005
Min.	-0.3000	0.1000	-0.7250	-0.3000	0.1000	-0.7176	-0.0121	
Max.	0.5250	3.2500	0.9000	0.5178	3.2429	0.9000	-0.0054	

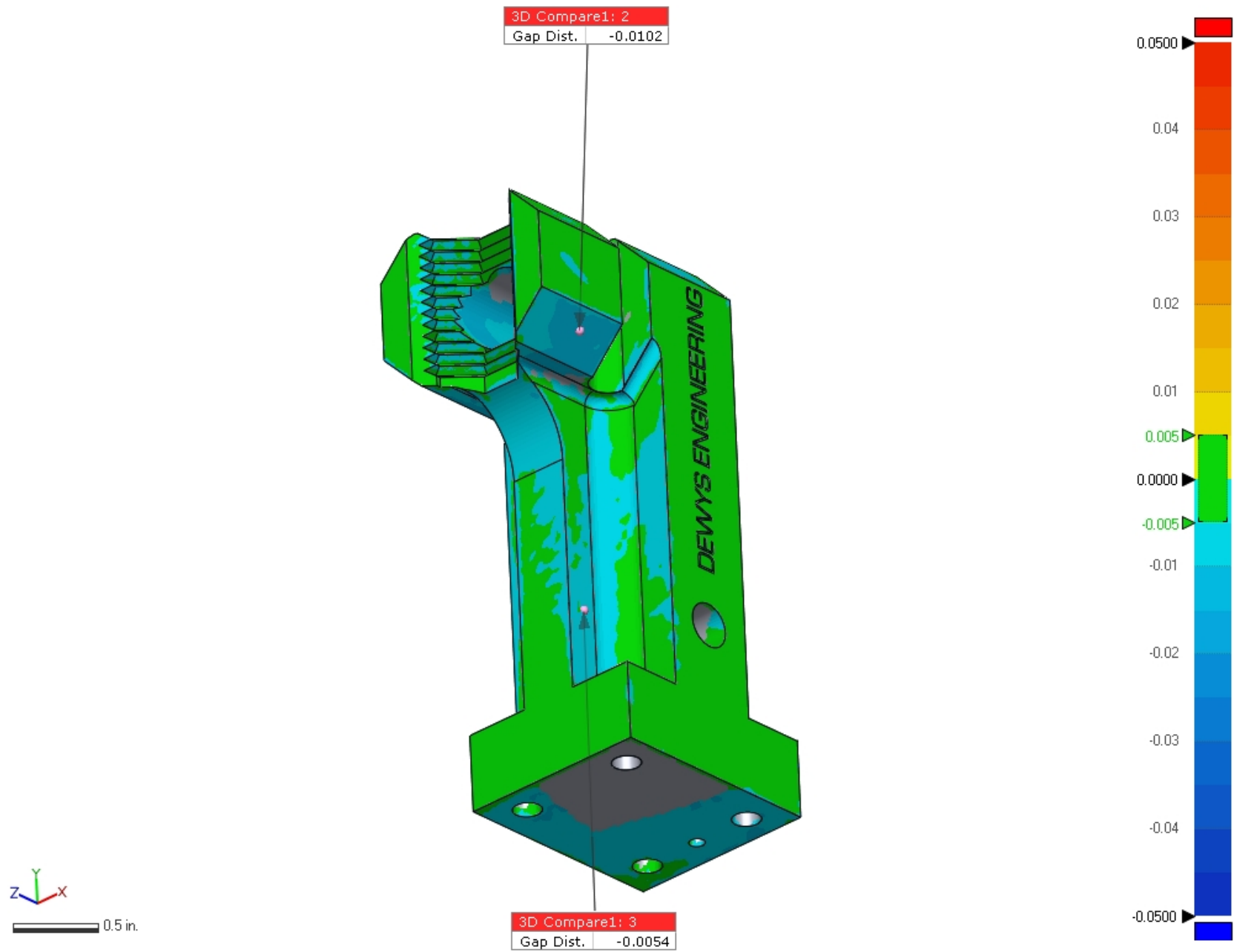
Product Name	[Product Name]	Department	Quality Control	Date	Jul 28, 2018
Part Name	EOAT Gripper	Inspector	F3DP - Paul DeWys	Unit	in.

Custom View1



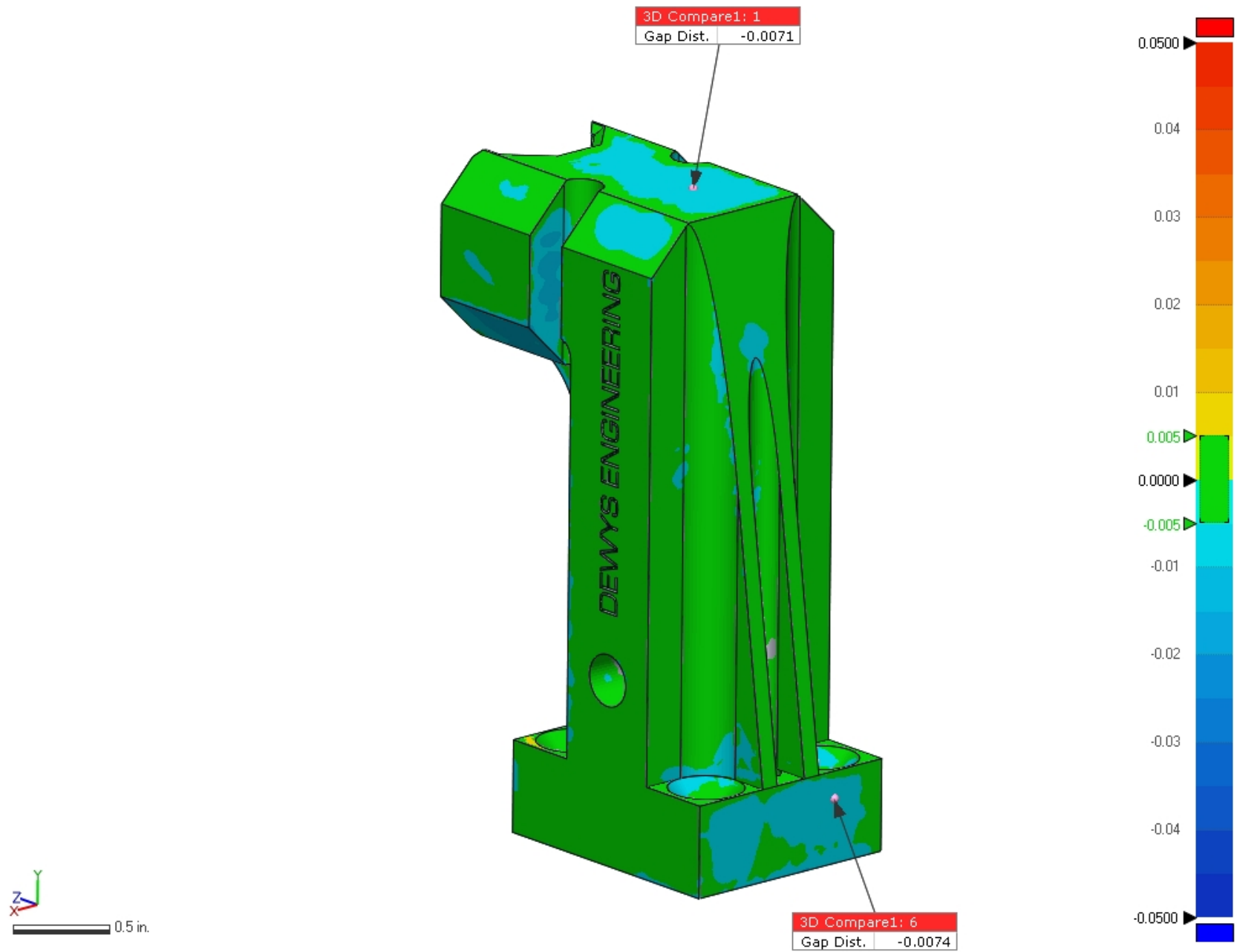
Product Name	[Product Name]	Department	Quality Control	Date	Jul 28, 2018
Part Name	EOAT Gripper	Inspector	F3DP - Paul DeWys	Unit	in.

Custom View2



Product Name	[Product Name]	Department	Quality Control	Date	Jul 28, 2018
Part Name	EOAT Gripper	Inspector	F3DP - Paul DeWys	Unit	in.

Custom View3



Product Name	[Product Name]	Department	Quality Control	Date	Jul 28, 2018
Part Name	EOAT Gripper	Inspector	F3DP - Paul DeWys	Unit	in.