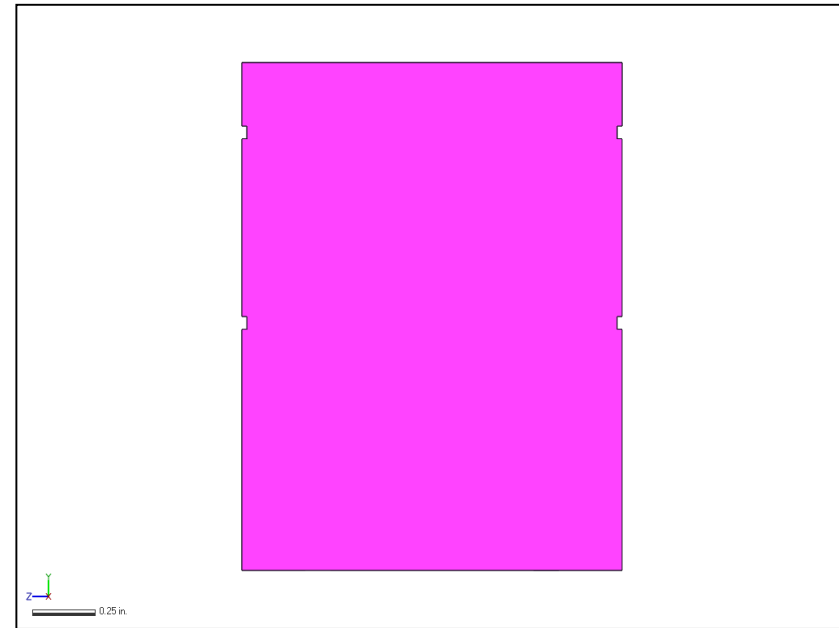
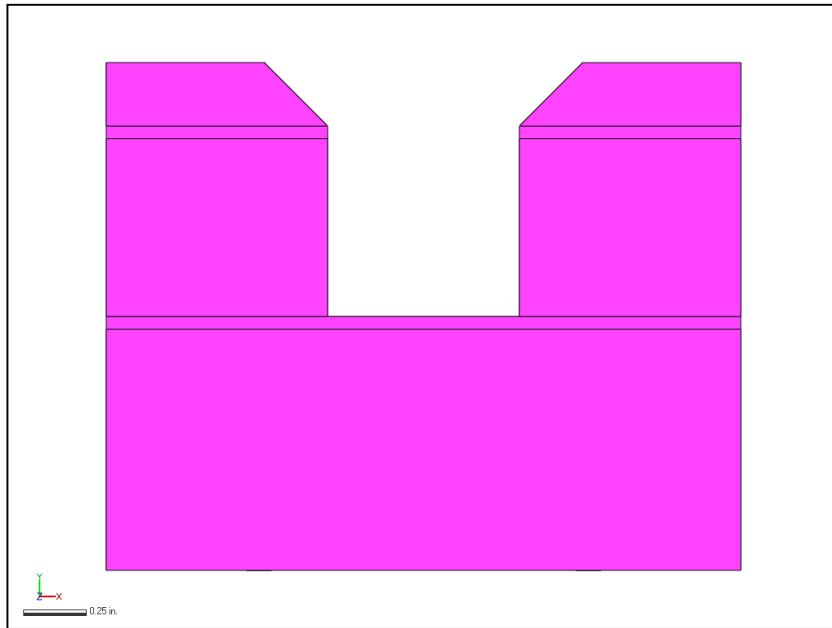
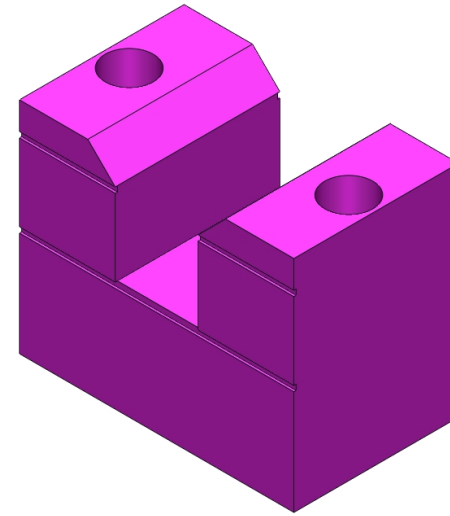
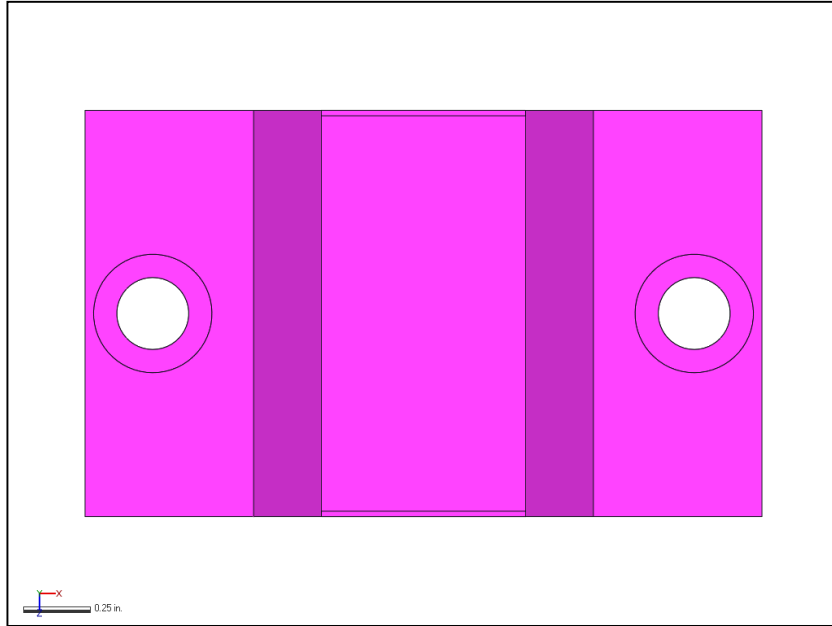


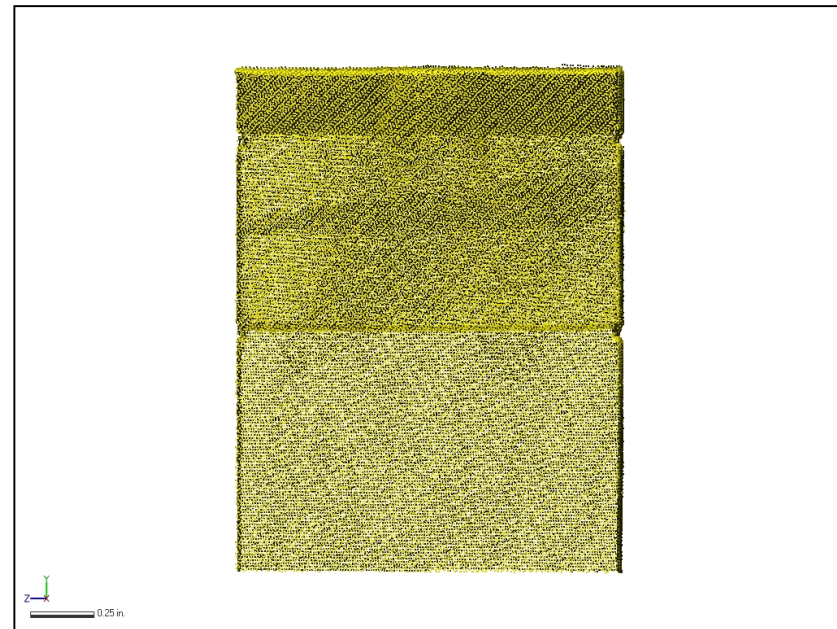
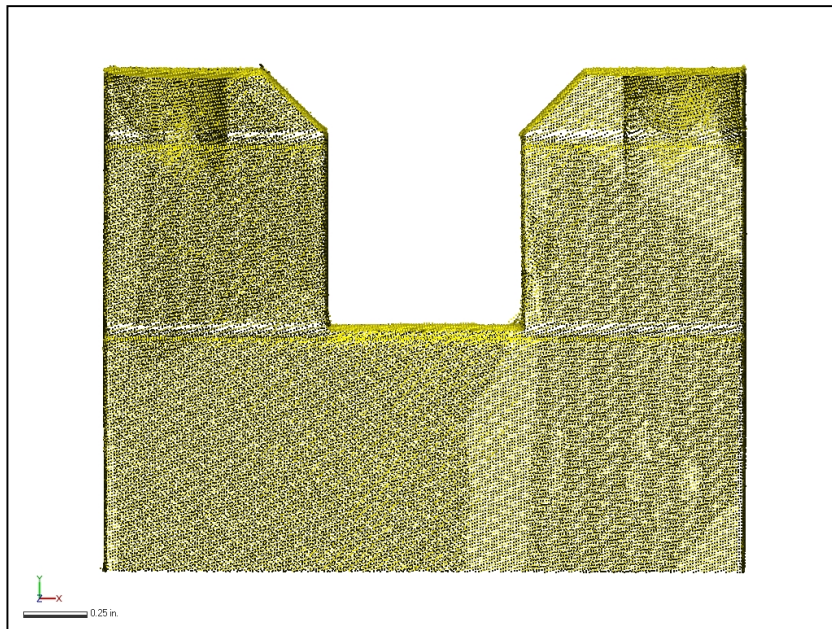
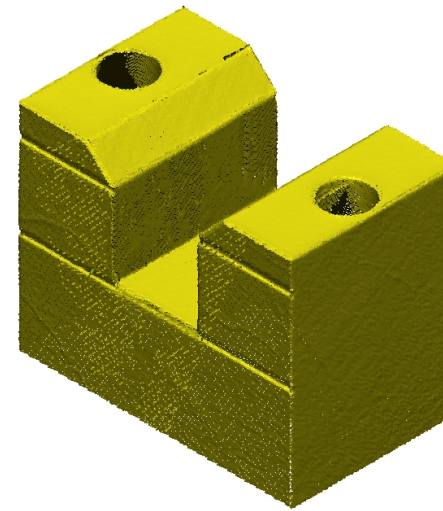
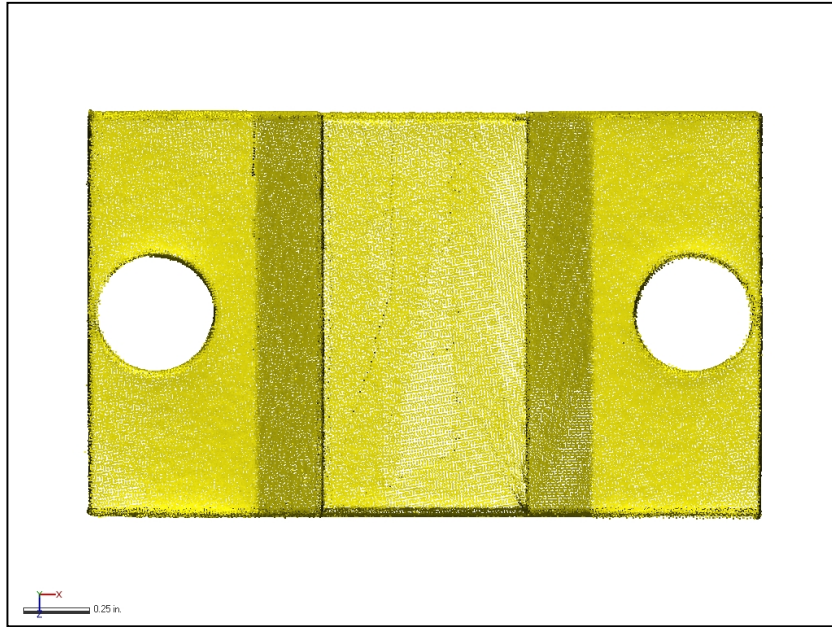
Product Name	[Product Name]
Part Name	Sample Nest Block
Part Number	9999-0003
Department	[Department]
Inspector	PTD
Date	Oct 21, 2018
Unit	in.

Reference Data - 9999-0003



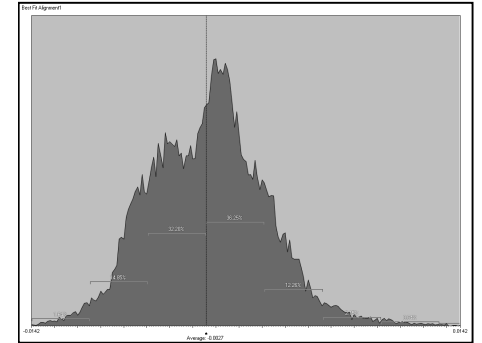
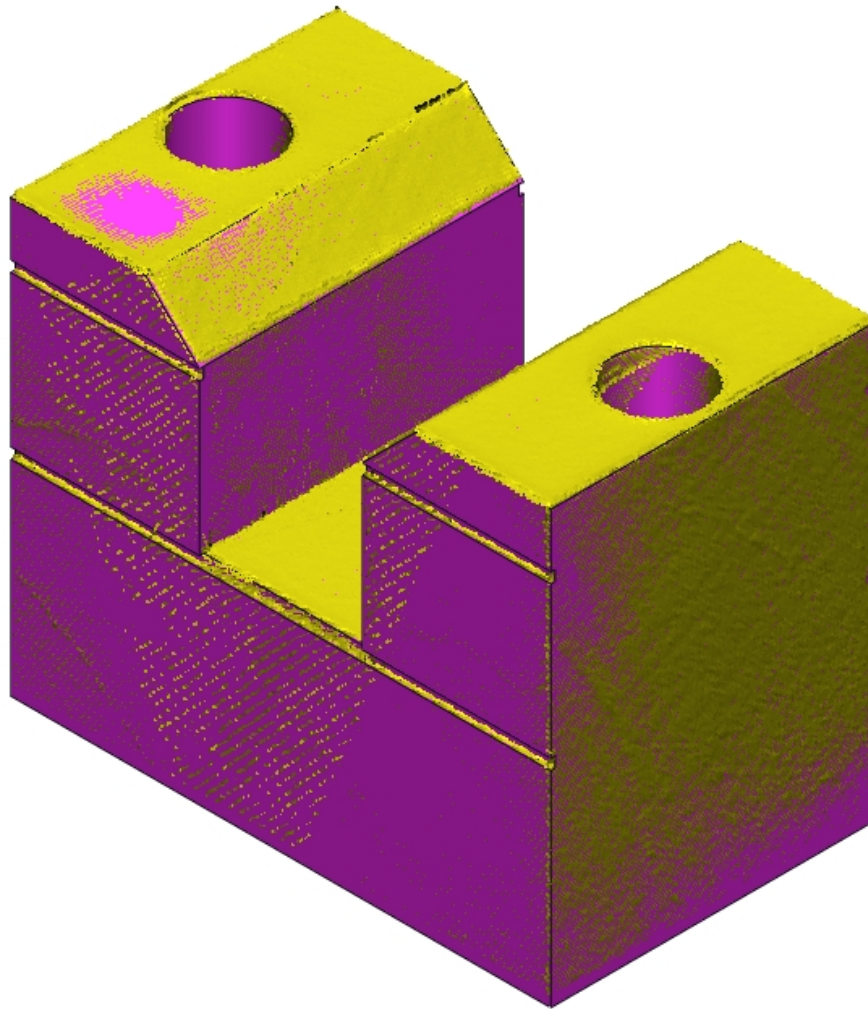
Product Name	[Product Name]	Department	[Department]	Date	Oct 21, 2018
Part Name	Sample Nest Block	Inspector	PTD	Unit	in.

Measured Data



Product Name	[Product Name]	Department	[Department]	Date	Oct 21, 2018
Part Name	Sample Nest Block	Inspector	PTD	Unit	in.

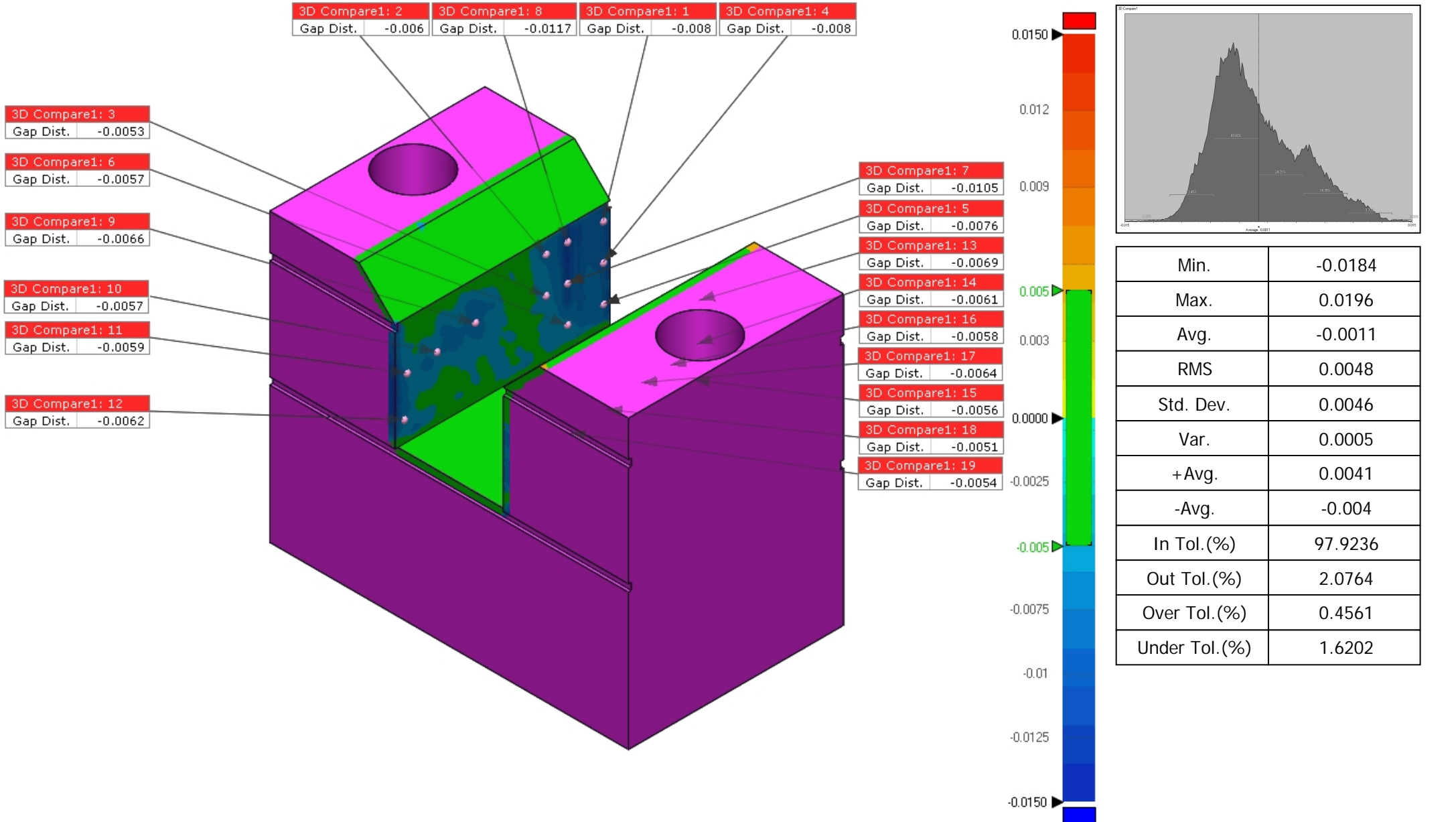
Best Fit Alignment1



Min.	-0.0243
Max.	0.0144
Avg.	-0.0027
RMS	0.0047
Std. Dev.	0.0038
Var.	0.0004
+Avg.	0.0024
-Avg.	-0.0042

Product Name	[Product Name]	Department	[Department]	Date	Oct 21, 2018
Part Name	Sample Nest Block	Inspector	PTD	Unit	in.

3D Compare1



Product Name	[Product Name]	Department	[Department]	Date	Oct 21, 2018
Part Name	Sample Nest Block	Inspector	PTD	Unit	in.

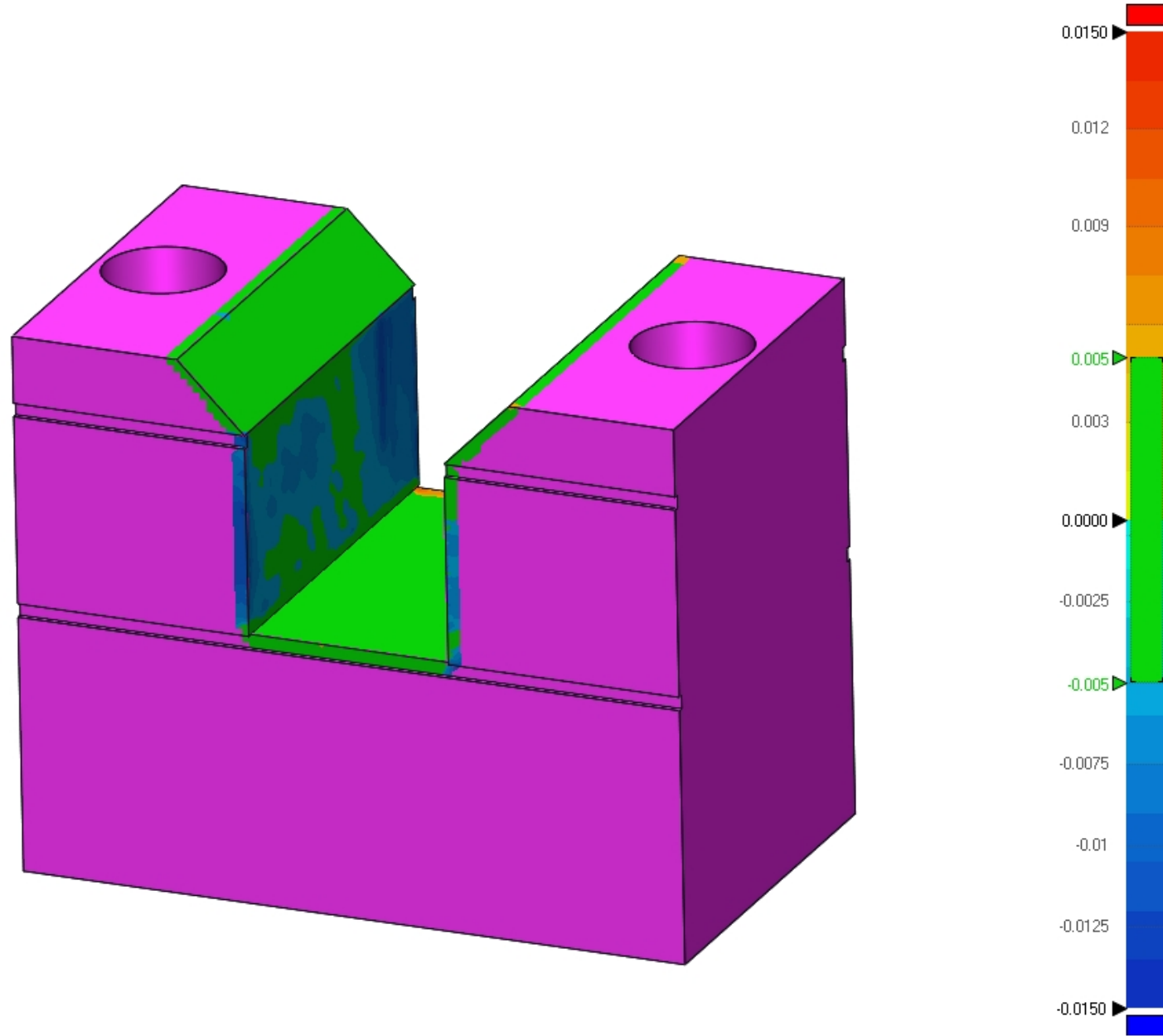
Name	Reference Pos.			Measured Pos.			Gap Dist.	Tolerance
	X	Y	Z	X	Y	Z		
3D Compare1: 1	-0.3775	1.65	-0.7	-0.3855	1.65	-0.7	-0.008	±0.005
3D Compare1: 2	-0.3775	1.65	-0.3	-0.3835	1.65	-0.3	-0.006	±0.005
3D Compare1: 3	-0.3775	1.4	-0.3	-0.3828	1.4	-0.3	-0.0053	±0.005
3D Compare1: 4	-0.3775	1.4	-0.7	-0.3855	1.4	-0.7	-0.008	±0.005
3D Compare1: 5	-0.3775	1.15	-0.7	-0.3851	1.15	-0.7	-0.0076	±0.005
3D Compare1: 6	-0.3775	1.15	-0.45	-0.3832	1.15	-0.45	-0.0057	±0.005
3D Compare1: 7	-0.3775	1.4	-0.45	-0.388	1.4	-0.45	-0.0105	±0.005
3D Compare1: 8	-0.3775	1.65	-0.45	-0.3892	1.65	-0.45	-0.0117	±0.005
3D Compare1: 9	-0.3775	1.4838	0.1924	-0.3841	1.4838	0.1924	-0.0066	±0.005
3D Compare1: 10	-0.3775	1.4409	0.4611	-0.3832	1.4409	0.4611	-0.0057	±0.005
3D Compare1: 11	-0.3775	1.4173	0.6683	-0.3834	1.4173	0.6683	-0.0059	±0.005
3D Compare1: 12	-0.3775	1.1465	0.6886	-0.3837	1.1465	0.6886	-0.0062	±0.005
3D Compare1: 13	0.3775	1.5927	-0.6107	0.3844	1.5927	-0.6107	-0.0069	±0.005
3D Compare1: 14	0.3775	1.3365	-0.5971	0.3836	1.3365	-0.5971	-0.0061	±0.005
3D Compare1: 15	0.3775	1.1334	-0.5746	0.3831	1.1334	-0.5746	-0.0056	±0.005
3D Compare1: 16	0.3775	1.302	-0.4125	0.3833	1.302	-0.4125	-0.0058	±0.005
3D Compare1: 17	0.3775	1.2977	-0.2091	0.3839	1.2977	-0.2091	-0.0064	±0.005
3D Compare1: 18	0.3775	1.2594	0.0337	0.3826	1.2594	0.0337	-0.0051	±0.005
3D Compare1: 19	0.3775	1.2449	0.2905	0.3829	1.2449	0.2905	-0.0054	±0.005
Min.	-0.3775	1.1334	-0.7000	-0.3892	1.1334	-0.7000	-0.0117	

Product Name	[Product Name]	Department	[Department]	Date	Oct 21, 2018
Part Name	Sample Nest Block	Inspector	PTD	Unit	in.

Name	Reference Pos.			Measured Pos.			Gap Dist.	Tolerance
	X	Y	Z	X	Y	Z		
Max.	0.3775	1.6500	0.6886	0.3844	1.6500	0.6886	-0.0051	

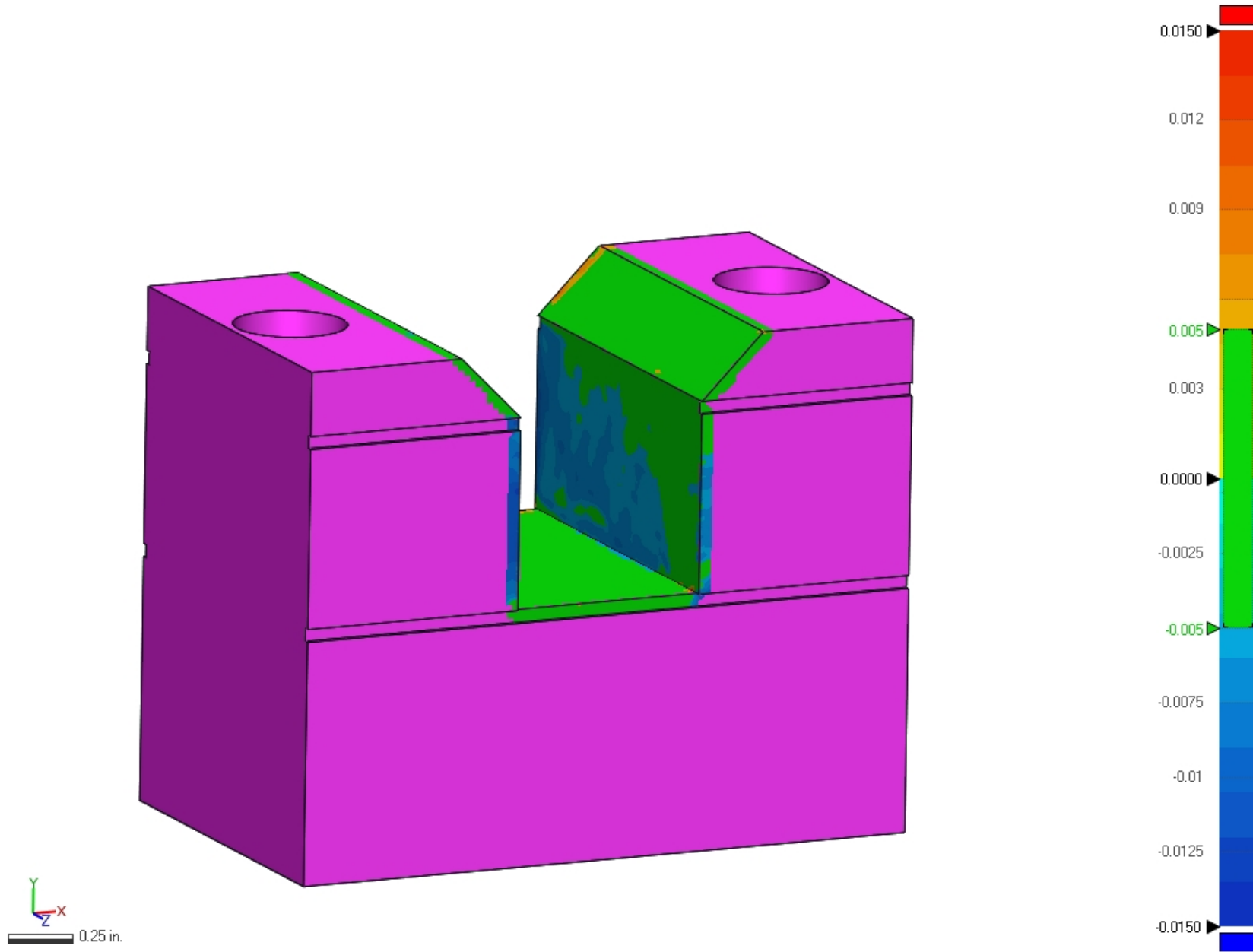
Product Name	[Product Name]	Department	[Department]	Date	Oct 21, 2018
Part Name	Sample Nest Block	Inspector	PTD	Unit	in.

ISO VIEW 1



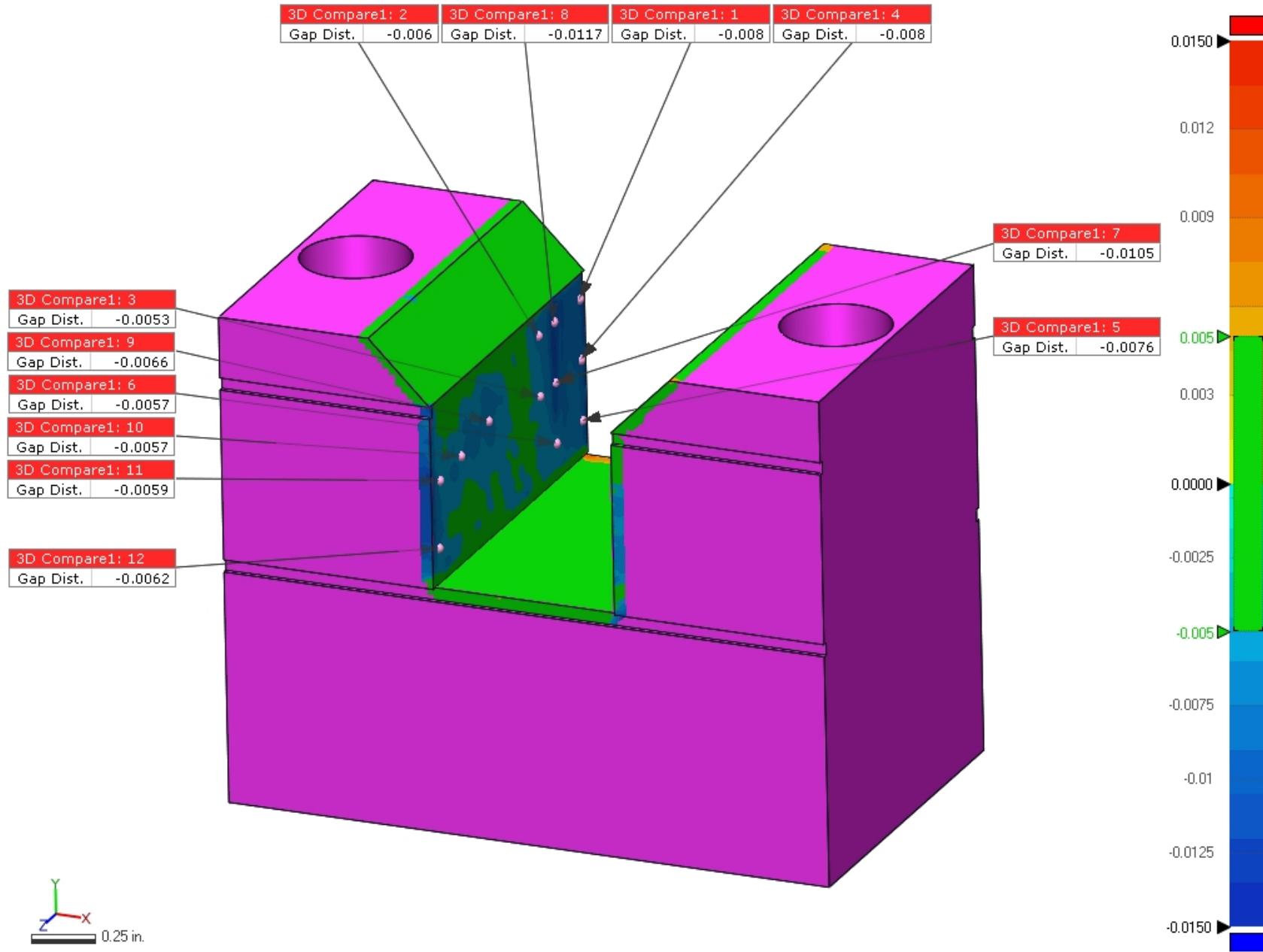
Product Name	[Product Name]	Department	[Department]	Date	Oct 21, 2018
Part Name	Sample Nest Block	Inspector	PTD	Unit	in.

ISO VIEW 2



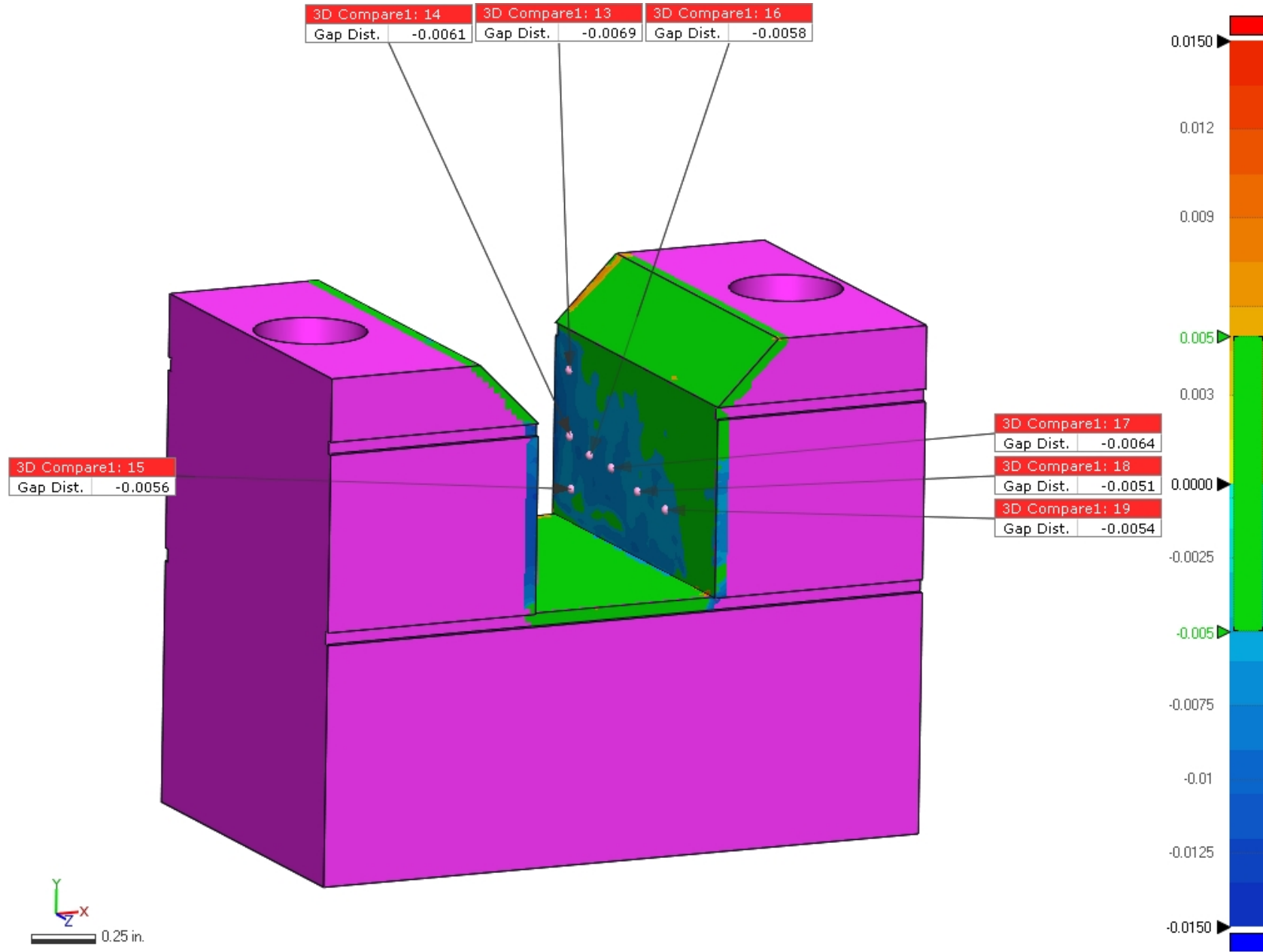
Product Name	[Product Name]	Department	[Department]	Date	Oct 21, 2018
Part Name	Sample Nest Block	Inspector	PTD	Unit	in.

ISO VIEW 1-1



Product Name	[Product Name]	Department	[Department]	Date	Oct 21, 2018
Part Name	Sample Nest Block	Inspector	PTD	Unit	in.

ISO VIEW 2-2



Product Name	[Product Name]	Department	[Department]	Date	Oct 21, 2018
Part Name	Sample Nest Block	Inspector	PTD	Unit	in.